

BSI MAGNETIC LOCK

Electromagnetic locks are widely used in commercial and industrial applications. The lock is usually mounted on the header above the door and the armature is usually mounted on the door.

BSI provides full line of electromagnetic locks for all types of doors. Our models are designed to secure any type of door or gate that closes against a fixed stop. All of our locks components are carefully designed, manufactured and tested to ensure superior quality.

300LBS MAGNETIC LOCK

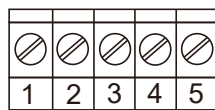


General Feature

- ★ DIMENSIONS:
Magnet (DSL1501): 180mmLx38.6mmWx24.5mmD
Magnet (DSL1502): 166mmLx38.6mmWx21.5mmD
Magnet (DSL1503): 202mmLx34.6mmWx21mmD
- ★ Armature Plate: 130mmLx32mmWx8mmT
Armature Plate: 62mmLx32mmWx8mmT(DSL1502-2AP)
- ★ Dual Voltage: 12/24VDC
- ★ Current Draw: 360mA/12VDC, 180mA/24VDC
- ★ Surface Mounted: DSL1501, DSL1502
- ★ Mortise Mounted: DSL1503
- ★ Holding Force: about 300LBS
- ★ Built-in Voltage Spike Suppressor
- ★ Option:
DSL1501: Lock sensor
DSL1502: Basic type
DSL1502-2AP: Basic type & 2 split armature plate
DSL1503: Basic type

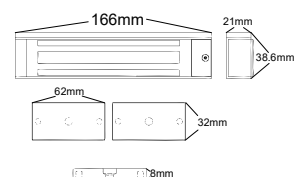
DSL1501 OPTIONAL FEATURE

Lock Status Sensor



+ - NO C NC
locked & unlocked Status with





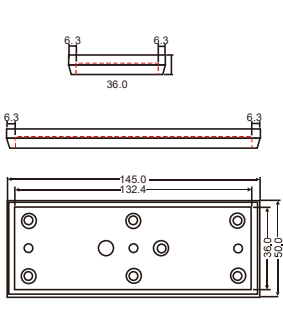
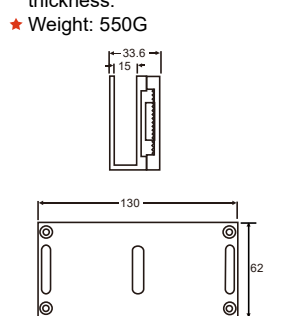
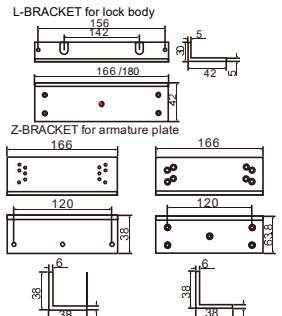
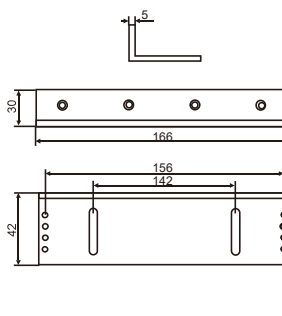
DSL1502-2AP Dimensions









BRACKET FOR 300LBS



<p>EA302</p> 	<p>DU211</p> 	<p>EA300 EA300A (180mm)</p> 	<p>EA304</p> 
<p>ARMATURE PLATE HOUSING</p> <ul style="list-style-type: none"> ★ DIMENSIONS: 145mmLx50mmWx15mmD ★ Aluminum Painted Finish ★ Weight: 100G 	<p>U BRACKET</p> <ul style="list-style-type: none"> ★ DIMENSIONS: 130mmLx62mmWx33mmD ★ ANODIZED Finish ★ Suitable for Glass Door ★ Max 12mm glass door thickness. ★ Weight: 550G 	<p>L & Z BRACKET</p> <ul style="list-style-type: none"> ★ DIMENSIONS: L: 166/180mmLx42mmWx30mmD Z: 166mmLx38mmWx38mmD ★ ANODIZED Finish ★ Weight: 600G 	<p>L BRACKET</p> <ul style="list-style-type: none"> ★ DIMENSIONS: 166mmLx42mmWx30mmD ★ ANODIZED FINISH ★ Weight: 75G
			

BRACKET FOR 600LBS



<p>EA322</p> 	<p>DU213</p> 	<p>EA320</p> 	<p>EA314</p> 
<p>ARMATURE PLATE HOUSING</p> <ul style="list-style-type: none"> ★ DIMENSIONS: 200mmLx55mmWx15mmD ★ Aluminum Painted Finish ★ Weight: 240G 	<p>U BRACKET</p> <ul style="list-style-type: none"> ★ DIMENSIONS: 185mmLx62mmWx33.6mmD ★ ANODIZED Finish ★ Suitable for Glass Door ★ Max 12mm glass door thickness. ★ Weight: 650G 	<p>L & Z BRACKET</p> <ul style="list-style-type: none"> ★ DIMENSIONS: L: 250mmLx48mmWx30mmD Z: 185mmLx50mmWx50mmD ★ ANODIZED Finish ★ Weight: 780G 	<p>L BRACKET</p> <ul style="list-style-type: none"> ★ DIMENSIONS: 250mmLx48mmWx30mmD ★ ANODIZED FINISH ★ Weight: 130G
